

ARCHIBALD 492316

PENDANTS

PROJECT



492316-BK/GD
Black with Gold
detail



492316-BN/BK
Brushed Nickel with
Black detail



492316-WH/GD
White with Gold
detail

SPECIFICATION DETAILS

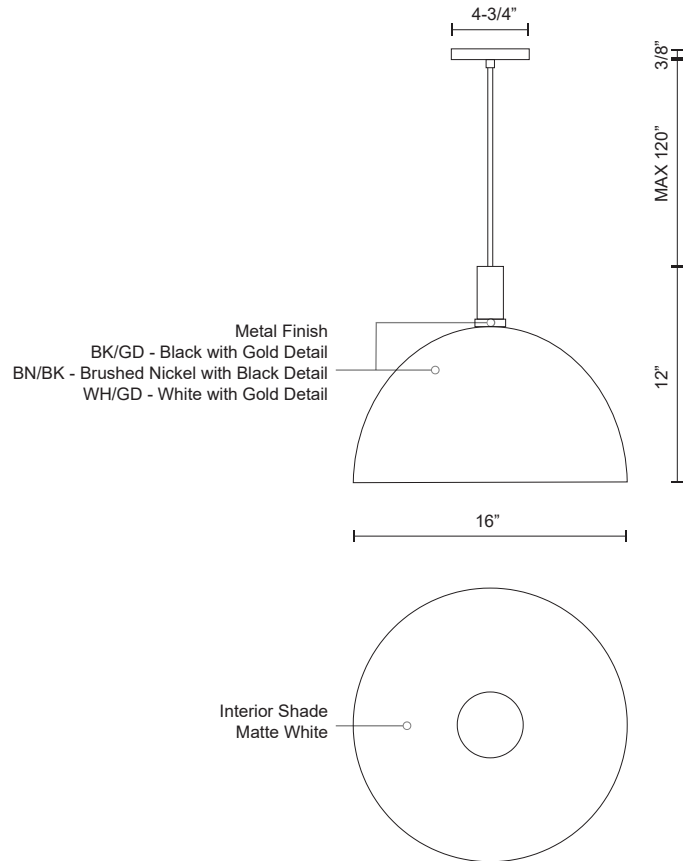
Fixture Dimensions	D16" x H12"
Lamp Type	Incandescent, Medium Base
Wattage	1 x 60W
Voltage	120V
Shade Details	Spun Aluminum Shade
Adjustable	Yes
Wire Length	120" Max
Wire Type	BK, BN - Black Braided Cord; WH - White Braided Cord;
Minimum Hang Height	16"
Sloped Ceiling Adaptable	Yes
Location	Dry
Bulbs Included	No
Canopy Dimensions	D4-3/4" x H3/8"

* For custom options, consult factory for details.

* For warranty information, please visit www.kuzcolighting.com/warranty

DESCRIPTION

Single-lamp pendant with aluminum dome shade showcasing powder-coated or plated finishes with metal details and a matte white interior. Exterior shade colors are black, brushed nickel, or white. Suspended by cloth cable. Available in three sizes.



KUZCO

CANADA: 19054 28TH AVENUE - SURREY, BC V3Z 6M3

USA: 3035 E. LONE MOUNTAIN ROAD - LAS VEGAS, NV 89081

WWW.KUZCOLIGHTING.COM

© 2019 KUZCO LIGHTING. ALL RIGHTS RESERVED.

COMMENT

